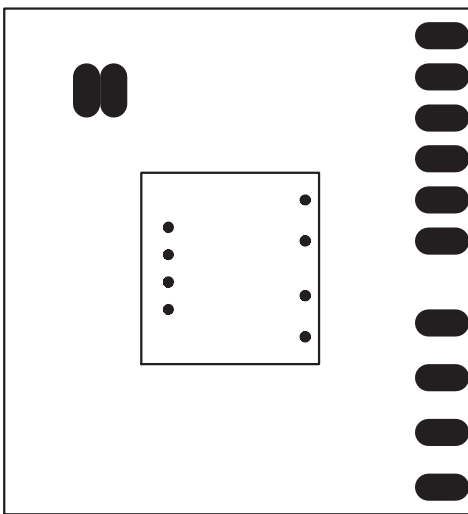


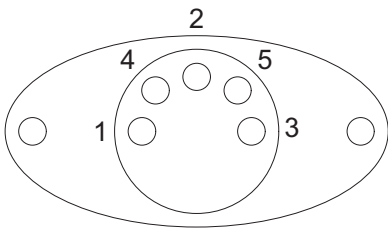
**PCB WIRING.**

SENSOR



- BLUE - TO PIN 5 ON DIN
- GREEN - TO PIN 3 ON DIN
- YELLOW - TO PIN 4 ON DIN
- NOT USED.
- WHITE - TO PIN 2 ON DIN
- RED - TO PIN 1 ON DIN
- BROWN MAINS TO PUMP
- BROWN MAINS TO HEATER
- BROWN MAINS INPUT
- BLUE NEUTRAL

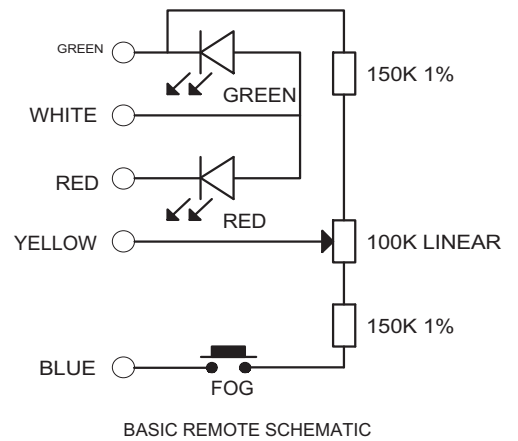
**DIN SOCKET WIRING**



VIEWED FROM SOLDER SIDE

- PIN 1 - RED
- PIN 4 - YELLOW
- PIN 2 - WHITE
- PIN 5 - BLUE
- PIN 3 - GREEN

**REMOTE WIRING.**

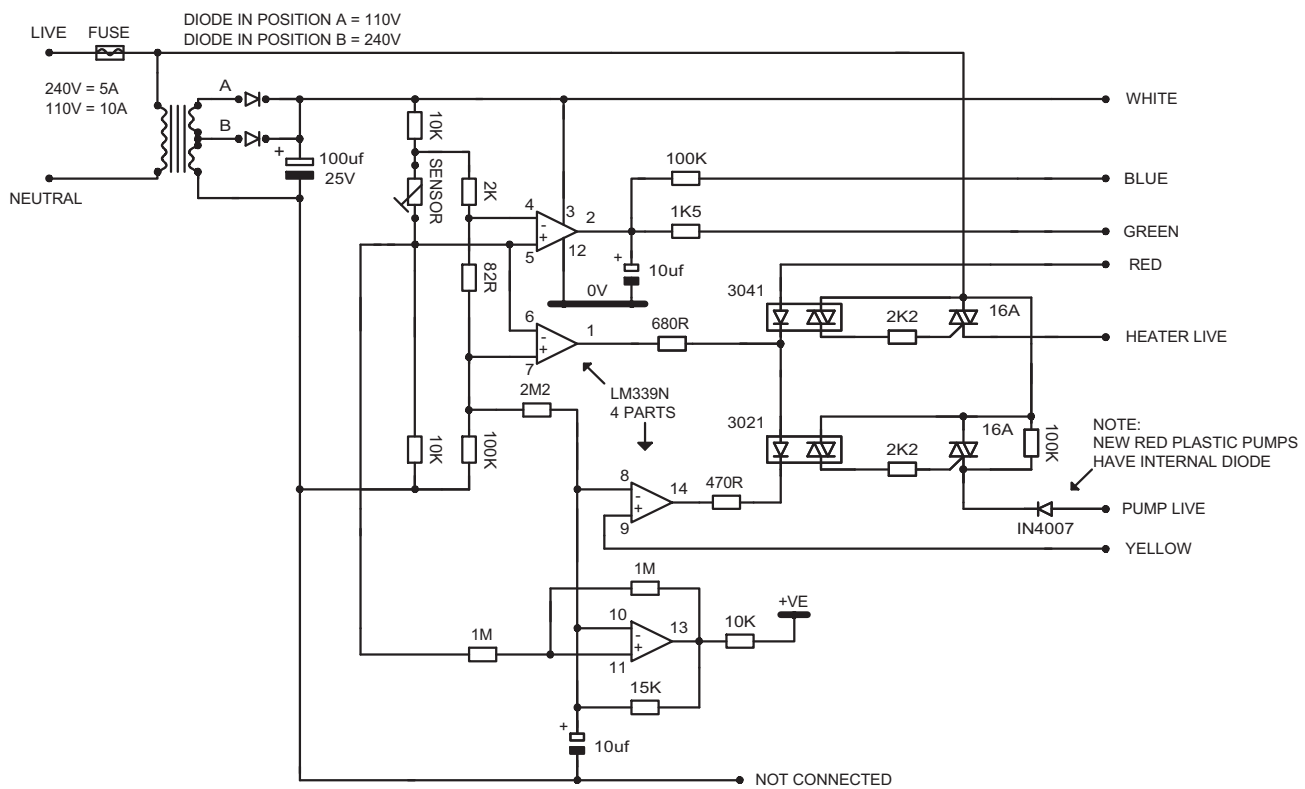


Drawn by :Steve Howard

28/02/99 version 1.0

J1 pcb wiring





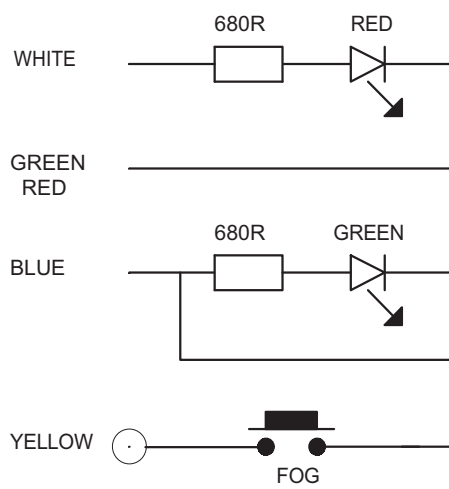
Drawn by :Steve Howard

28/02/99 version 1.0

J1 mk11 - pcb (NON-CE)

J1mk11 / Fogger 2



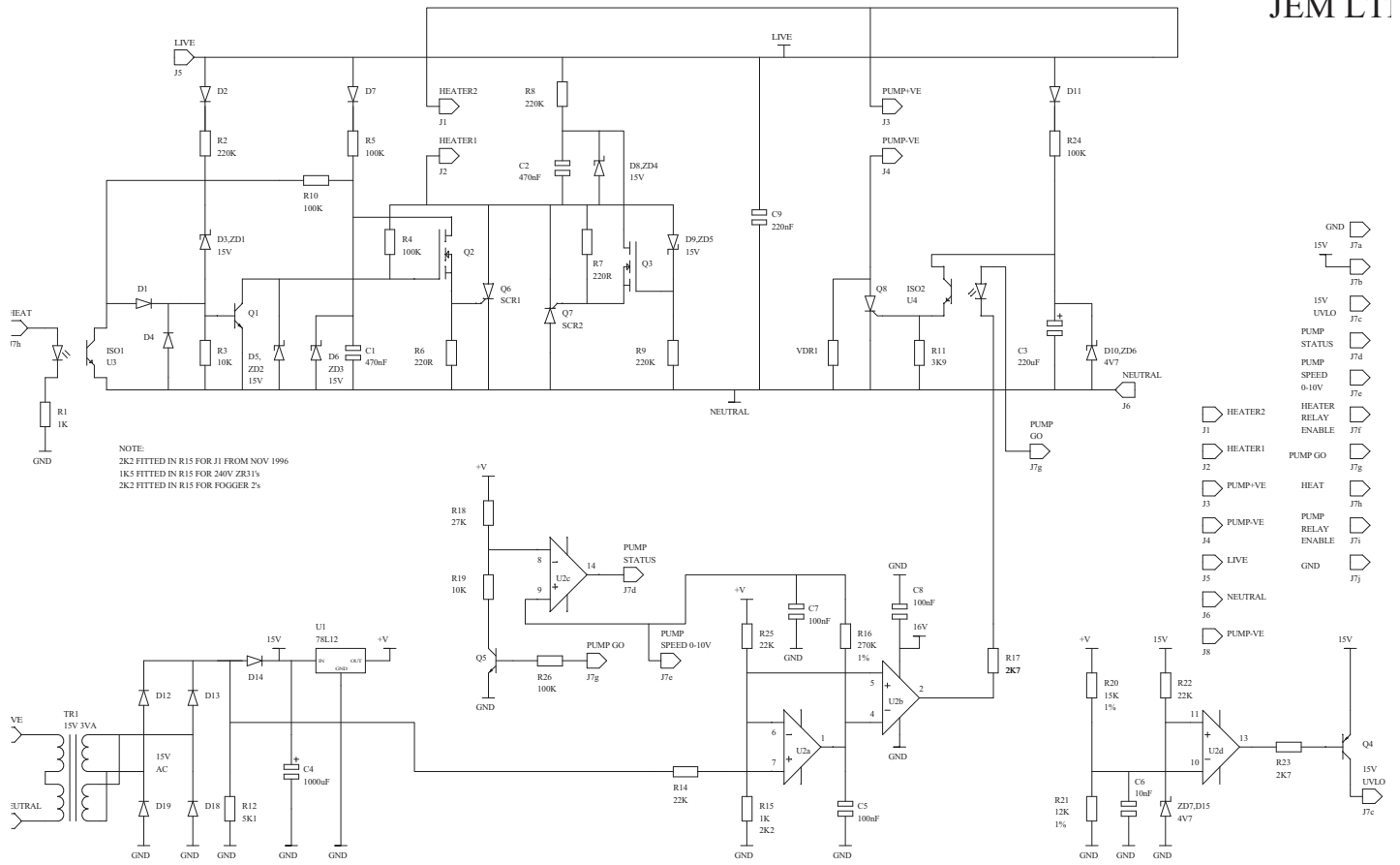


BASIC REMOTE SCHEMATIC

ALL CE MACHINES
Remote control Pin diagram
Drawing No.
Drawn by : SH.



JEM LT1



- GND J7a
- 15V J7b
- 15V UNLDO J7c
- PUMP STATUS J7d
- PUMP SPEED 0-10V J7e
- HEATER RELAY ENABLE J7f
- PUMP GO J7g
- HEAT J7h
- PUMP RELAY ENABLE J7i
- LIVE J7j
- GND J7k
- HEATER2 J1
- HEATER1 J2
- PUMP+VE J3
- PUMP-VE J4
- LIVE J5
- NEUTRAL J6
- PUMP-VE J8
- HEAT J9
- UNLDO J10
- 15V J11
- GND J12
- 15V J13
- 15V J14
- 15V J15
- 15V J16
- 15V J17
- 15V J18
- 15V J19
- 15V J20
- 15V J21
- 15V J22
- 15V J23
- 15V J24
- 15V J25
- 15V J26
- 15V J27
- 15V J28
- 15V J29
- 15V J30
- 15V J31
- 15V J32
- 15V J33
- 15V J34
- 15V J35
- 15V J36
- 15V J37
- 15V J38
- 15V J39
- 15V J40
- 15V J41
- 15V J42
- 15V J43
- 15V J44
- 15V J45
- 15V J46
- 15V J47
- 15V J48
- 15V J49
- 15V J50
- 15V J51
- 15V J52
- 15V J53
- 15V J54
- 15V J55
- 15V J56
- 15V J57
- 15V J58
- 15V J59
- 15V J60
- 15V J61
- 15V J62
- 15V J63
- 15V J64
- 15V J65
- 15V J66
- 15V J67
- 15V J68
- 15V J69
- 15V J70
- 15V J71
- 15V J72
- 15V J73
- 15V J74
- 15V J75
- 15V J76
- 15V J77
- 15V J78
- 15V J79
- 15V J80
- 15V J81
- 15V J82
- 15V J83
- 15V J84
- 15V J85
- 15V J86
- 15V J87
- 15V J88
- 15V J89
- 15V J90
- 15V J91
- 15V J92
- 15V J93
- 15V J94
- 15V J95
- 15V J96
- 15V J97
- 15V J98
- 15V J99
- 15V J100

